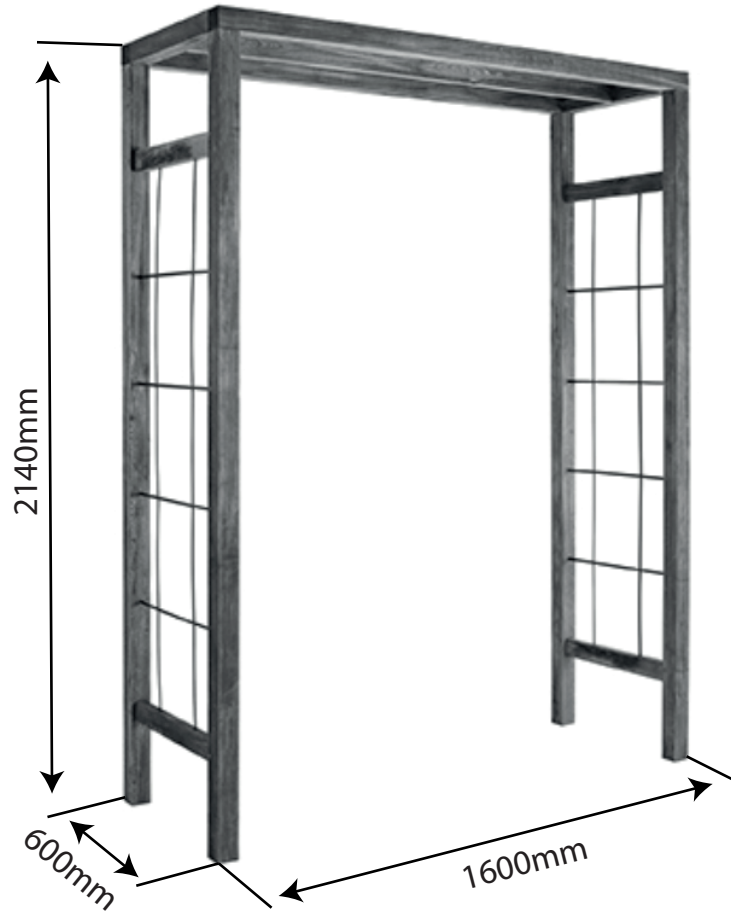
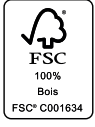

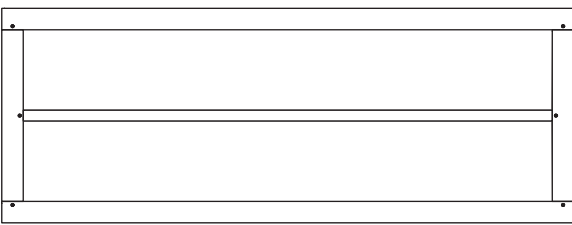
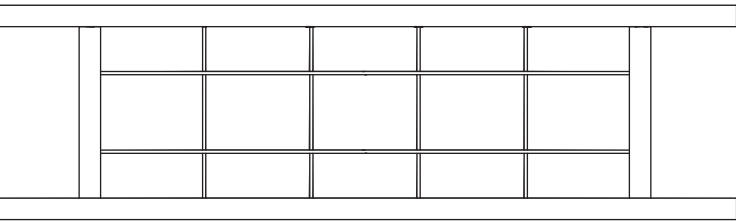
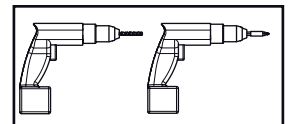


## Pergola

Réf 393



|          |   |             |    |
|----------|---|-------------|----|
| <b>A</b> |  | Ø5x100      | x8 |
| <b>1</b> |  | 60x600x1600 | x1 |
| <b>2</b> |  | 60x600x2080 | x2 |



2.

