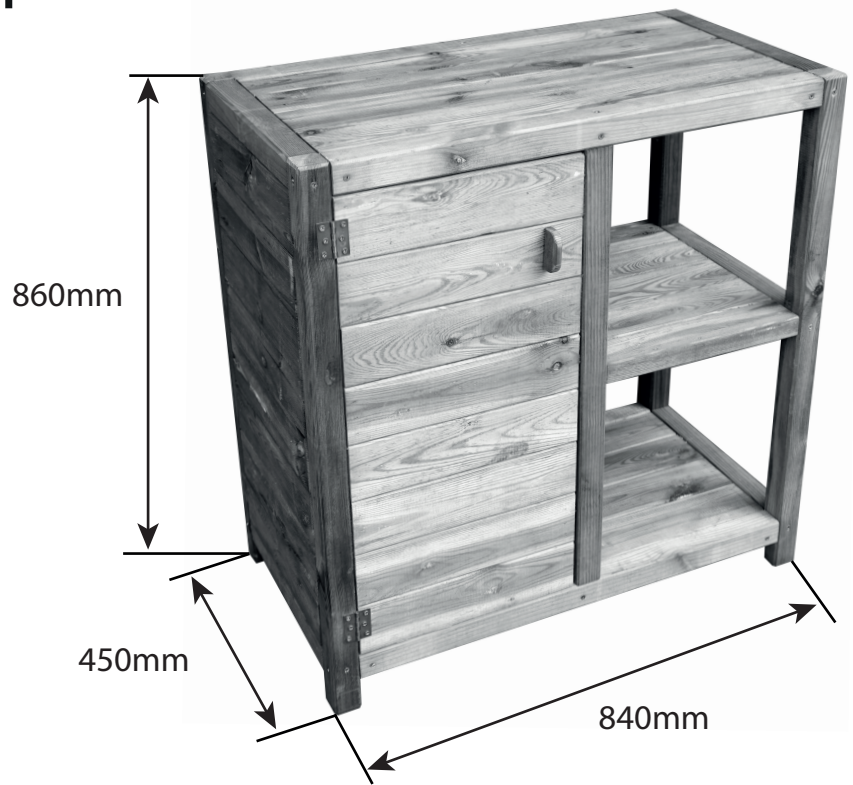


Table de préparation

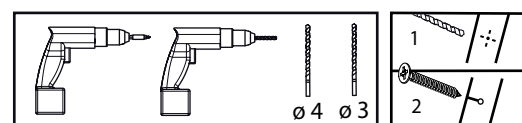
Réf 2681



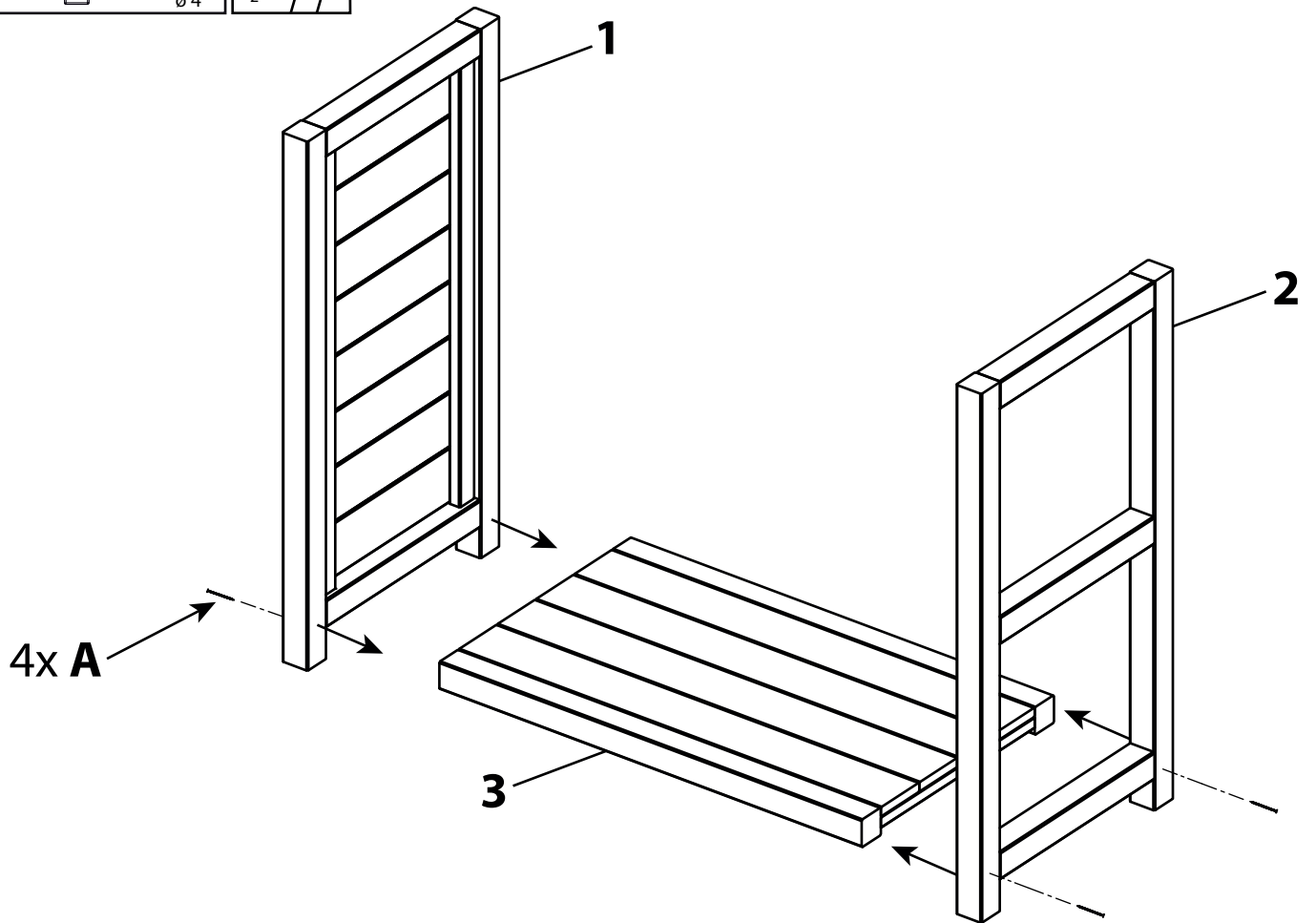
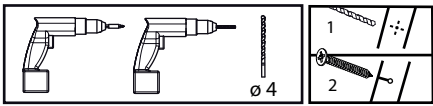
1		860x450x45	x1
2		860x450x45	x1
3		750x450x45	x2
4		720x405x45	x2
5		360x420x35	x1
6		450x345x35	x1

7		715x355x35	x1
---	--	------------	----

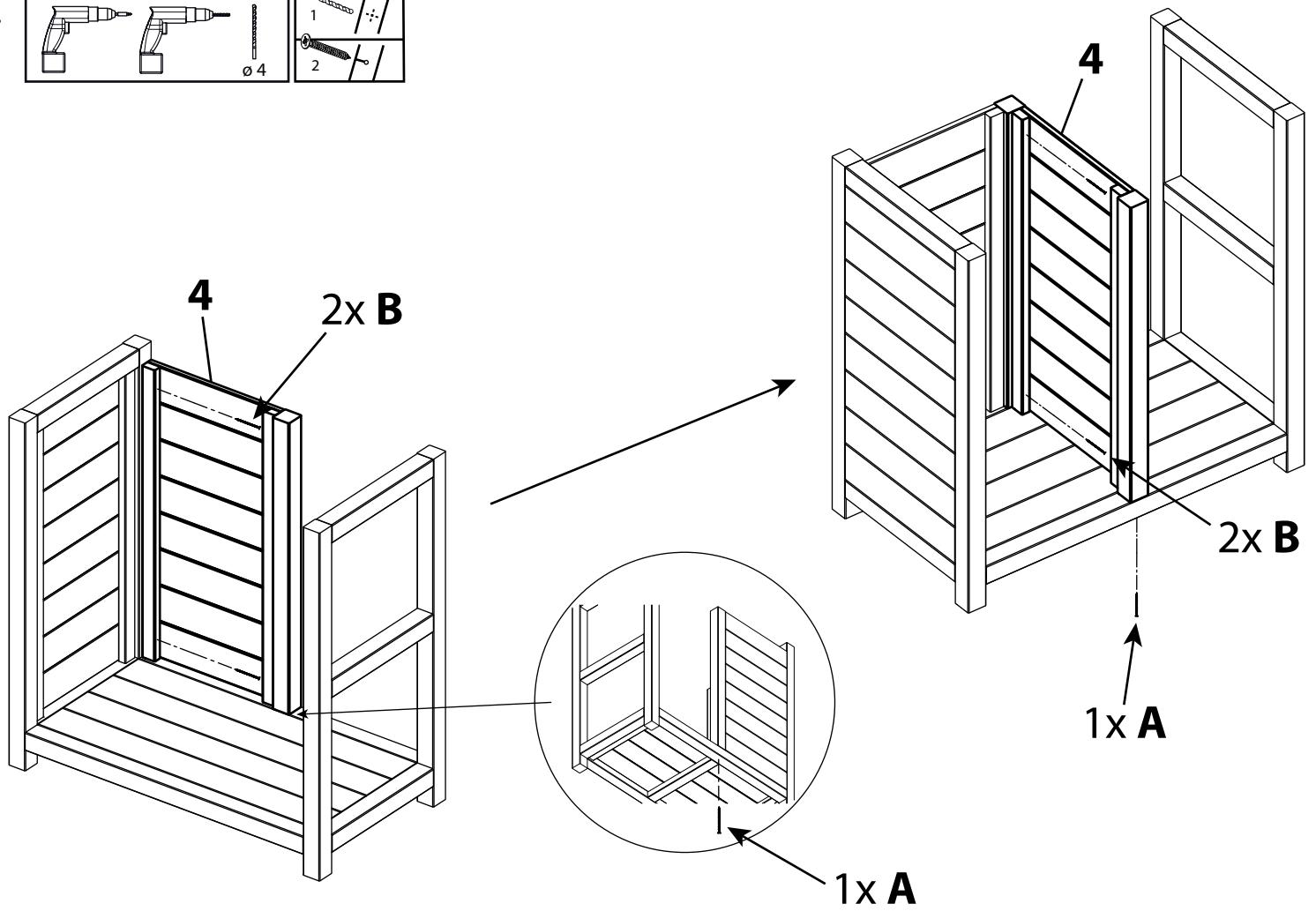
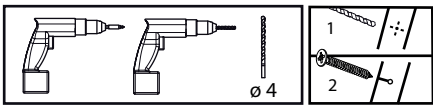
A		Ø4x70 mm	x12
B		Ø4x45 mm	x12
C		Ø4x25 mm	x12
D		Ø3x25 mm	x10
E			x2
F			x2
G			x2
H			x2
I			x1



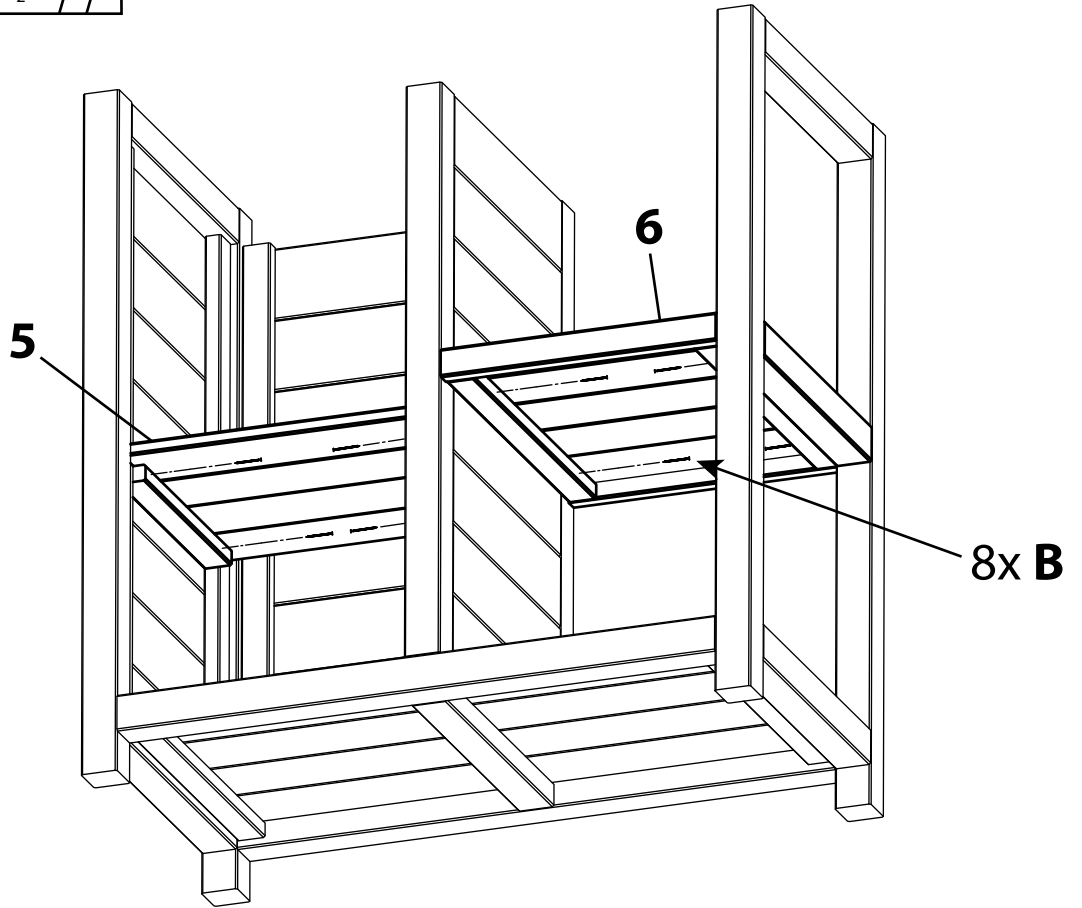
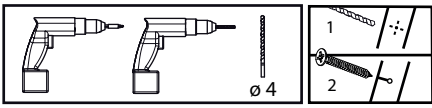
1.



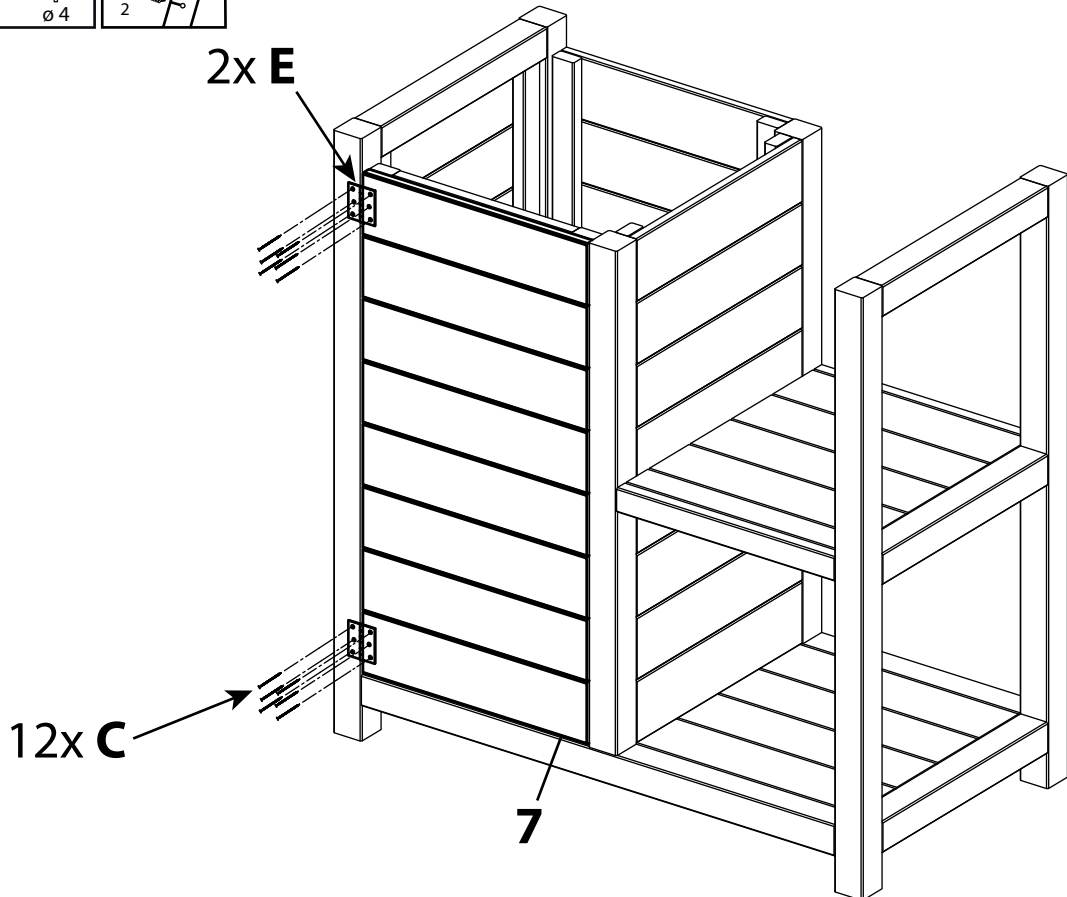
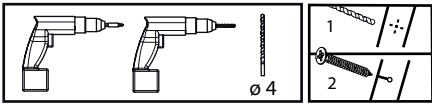
2.



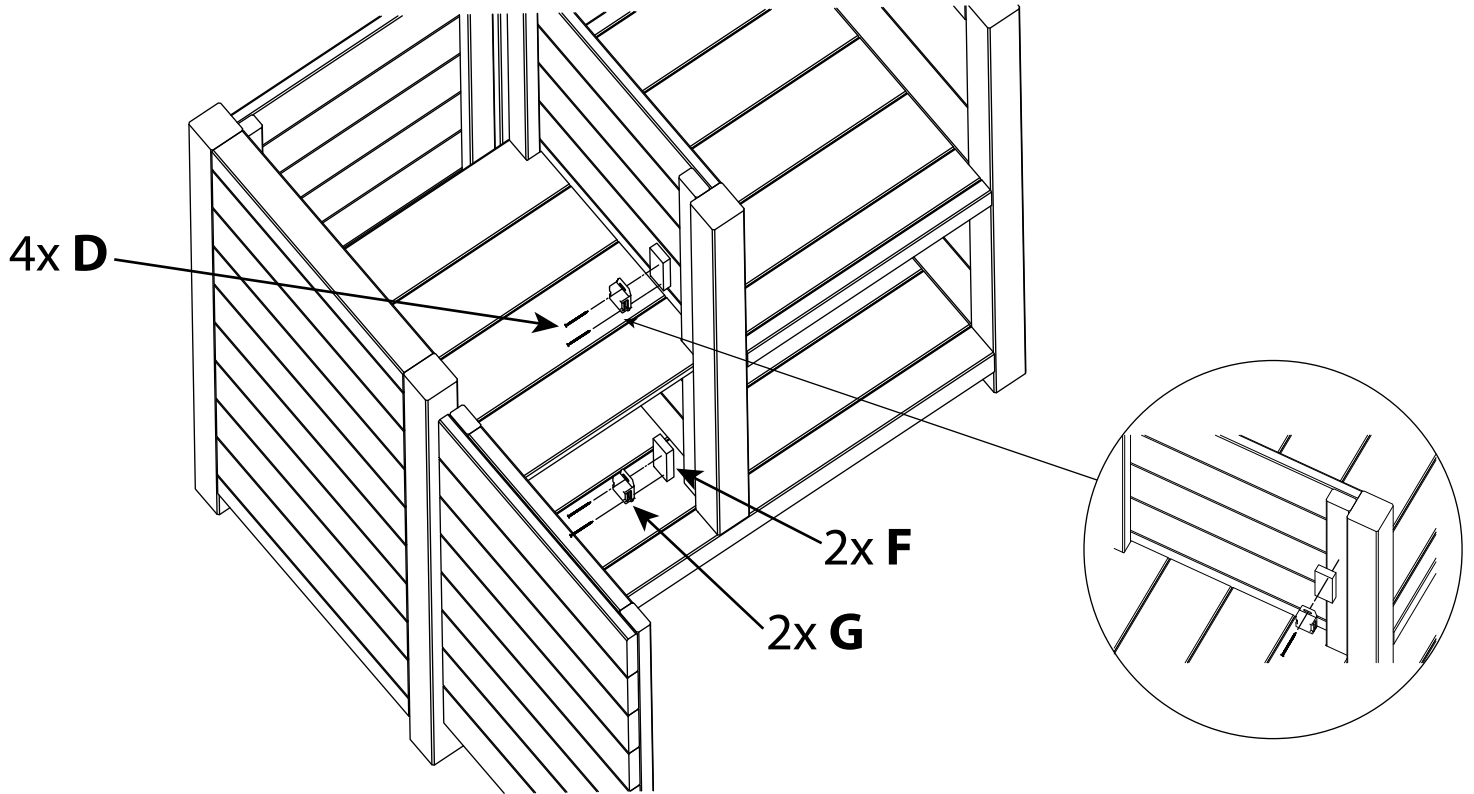
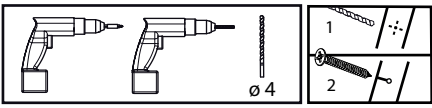
3.



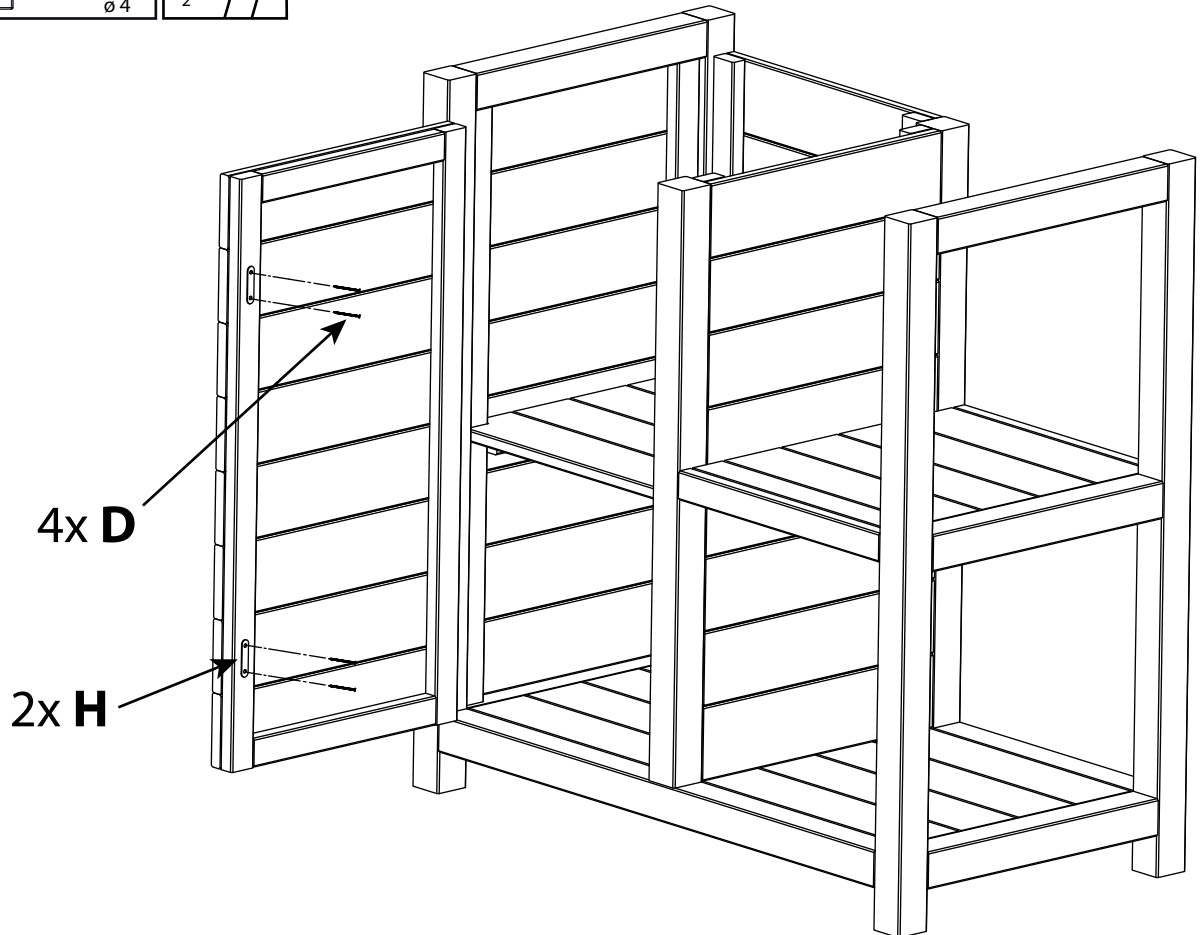
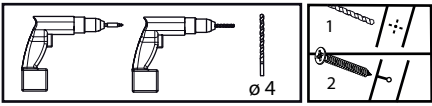
4.



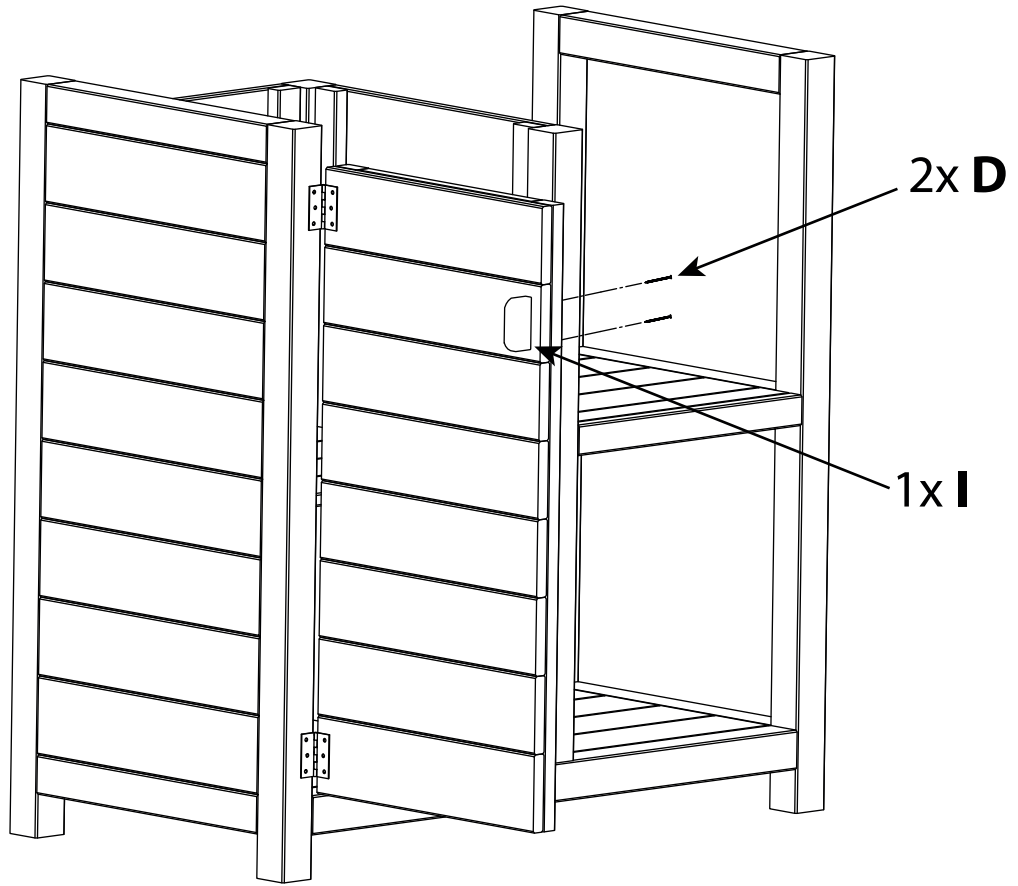
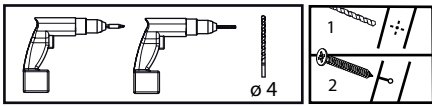
5.



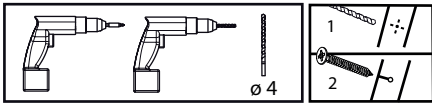
6.



7.



8.



6x A

3

